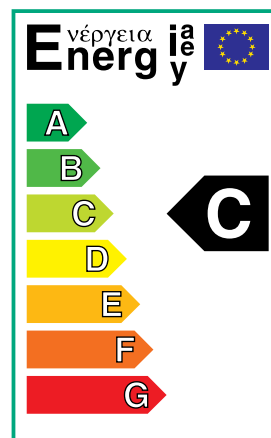
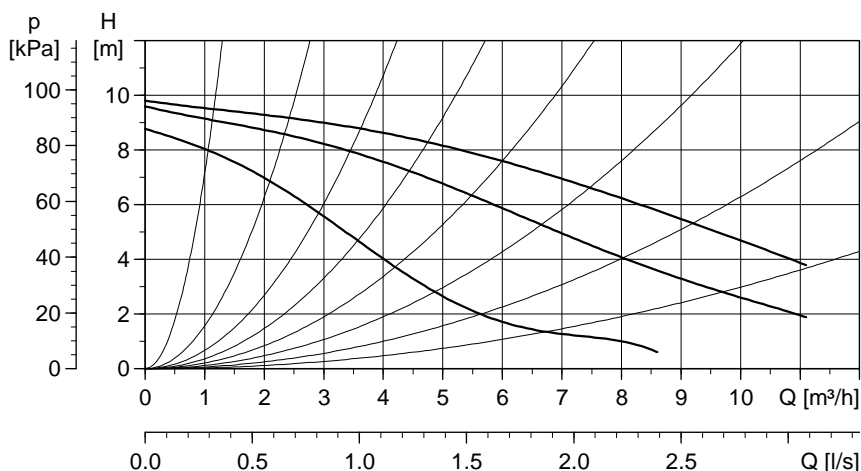
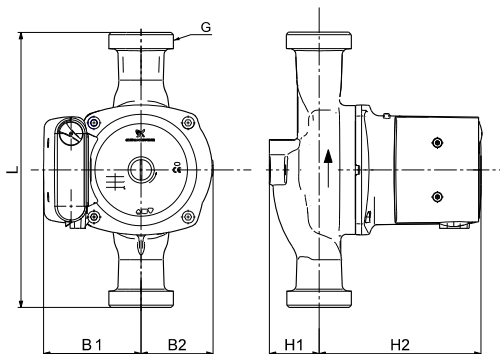


Performance curves



TM04 2619 2808- TM03 0868 0705

Dimensional sketches



TM04 2809 3408

Dimensions

L [mm]	180
H1 [mm]	47
H2 [mm]	150
B1 [mm]	90
B2 [mm]	68
G	2

Electrical data 1x 230 V

Speed	P ₁ [W]	I _{1/1} [A]
3	345	1,52
2	340	1,50
1	280	1,30

Approvals

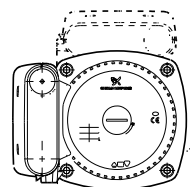
Motor protection

The pump has a built-in thermal switch and requires no additional motor protection.

Enclosure class

IP 44.

Position of terminal box



TM04 2810 3408

Liquid temperature

-25 °C to +110 °C (TF 110).

Weights and volume

Net weight [kg]	6,4
Gross weight [kg]	7
Shipping volume [m ³]	0.012